

POWERDECK®

- excellent lambda value requires thinner boards
- very light insulation
- large dimensions
- high compressive strength
- FM approved in a number of systems



**FLAT ROOF INSULATION UNDER
MECHANICALLY FIXED WATERPROOFING MEMBRANES**

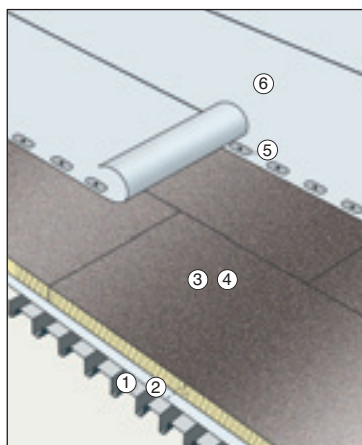
RECTICEL
insulation

CHARACTERISTICS AND ADVANTAGES

- excellent lambda value (0.024 W/mK) requires thinner boards
 - thinner boards achieve same insulation value
 - thinner boards require less transport to the site
 - thinner boards require less transport on the roof
 - thinner boards require shorter screws.
- very light insulation (30 kg/m³)
 - comfort for the roofer
 - easy installing
- large dimensions (2500 x 1200 mm)
 - fast installing
- high compressive strength (150 kPa)
 - excellent walkability
- FM approved in a number of systems.

INSTALLATION

1. Steeldeck
2. Vapour barrier
3. Thermal insulation boards: **POWERDECK** 1200 mm x 2500 mm, mechanically fixed to the steeldeck by 6 screws per plate.
4. Mechanical fixing of the insulation panel: screw and washer. These must satisfy the conditions for EUtgb Class II and have min. diameter 4.8 mm. Washers must be compatible with the screws used.
5. Mechanical fixing of the waterproofing: screw and washer. Quality and quantity according to the manufacturer's instructions.
6. Roof covering: bituminous or single ply, compatible with the insulation material. Number of screws required is calculated on the basis of wind-load (see waterproofing material instructions).



For more installation descriptions: www.recticelinsulation.com

THICKNESS (mm)	R [m ² K/W]	BOARDS/PACK
30	1,25	12
40	1,66	9
50	2,08	7
60	2,50	6
70	2,91	5
80	3,33	4
100	4,16	3
120	5,00	3

DESCRIPTION

POWERDECK® is an insulation board with a core **TAUfoam** by Recticel (rigid polyisocyanurate foam with a specific cellstructure). This insulation board is faced on both sides with a slightly honeycombed pure aluminium foil of 50µ.

TECHNICAL FEATURES

- **thermal conductivity:** λ_D-value: 0,024 W/mK
- **core volume weight:** ± 30 kg/m³
- **vapour diffusion resistance of the TAUfoam** μ: 50-100
- **facing:** pure aluminium: ± 50µ
- **compressive strength with 10% deformation:** CS (10/Y)150 according to EN 826: > 150 kPa (1,5 kg/cm²)

FIRE BEHAVIOUR

- A1 according to RD 19/12/1997
- Class 1 according to BS 476 Part 7
- FM Approval class 1 according to FM Approval Standard 4450
- Euroclass B s2 d0 (end use steeldeck)
- Euroclass D s2 d0 (product) according to EN 13501-1



DIMENSIONS

- **Width:** 1200 mm
 - **Lengths:** 2500 mm on stock; 1000 mm and 600 mm on request
 - **Thicknesses:** 30 mm → 80 mm on stock
 - **Thicknesses:** 90 mm → 120 mm on request
- (*) On request and for considerable quantities the board length may be customised to fit the corrugation opening, in order to avoid the cutting of the boards lengthways.

APPLICATIONS

Mainly flat roof insulation mechanically fixed on steeldeck under mechanically fixed single ply or bituminous waterproofing membranes.

CERTIFICATES AND STANDARDS

ATG 2262
 ATG/H750
 CTG-258
 CEN Keymark 001-BK-514-0004-0021-W012
 EC Certificate of Conformity:
 BC1-514-0004-0021-W012



The production of these insulation boards is certified according to ISO 9001:2000

PRODUCTION WEVELGEM



Tramstraat 6 - 8560 WEVELGEM - Belgium
 Tel. +32 (0)56 43 89 20 - Fax +32 (0)56 43 89 29
eurothane@recticel.com - www.recticelinsulation.com